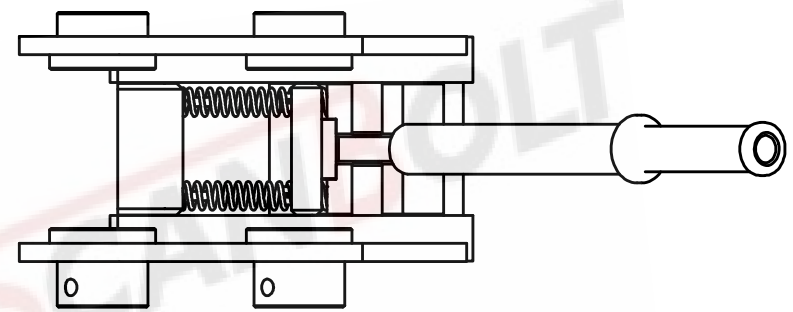
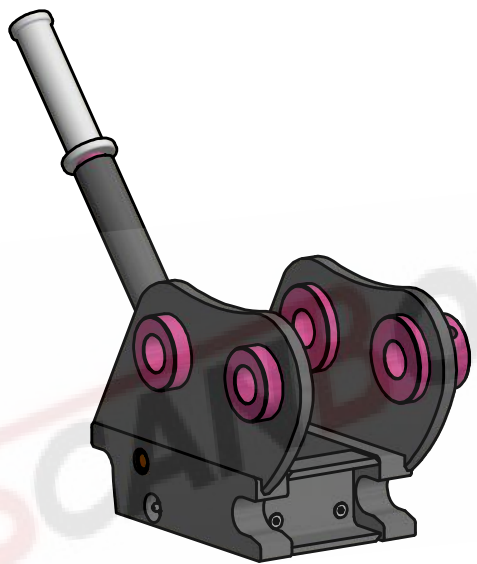


8 7 6 5 4 3 2 1

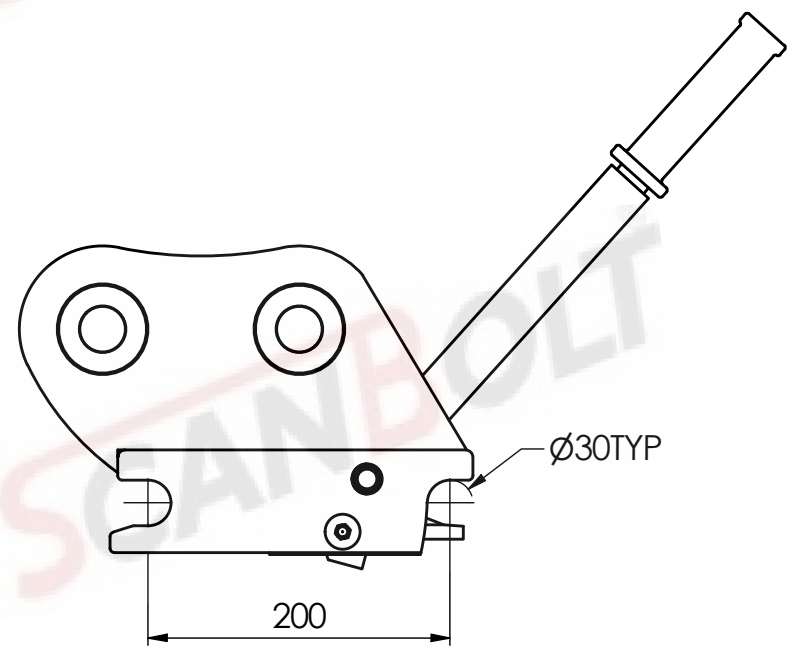
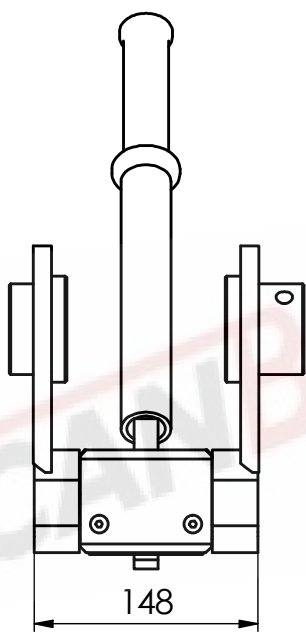
D

D



C

C








B

B

A

A

| MATERIAL SPECIFICATION | |
|--|-----------------|
|  | ST52.3 |
|  | EN8D |
|  | HB 400 |
|  | HB 450 |
|  | CASTALLOY STEEL |

| SCANBOLT® | |
|------------------|------------------|
| DESCRIPTION | MECHANICAL HITCH |
| TYPE | S30-150X200mm |
| MACHINE CLASS | 0.8-2.0 TON |
| WEIGHT | 10.7 KG |

8 7 6 5 4 3 2 1